



ETA Series Electrical Heaters

Kapasite:

Standart modeller 15kW ısıtma kapasitesine kadar.
Özel tasarımı ürünlerimiz 30kW ısıtma kapasitesine kadar.

Uygulama alanları ve Özellikleri:

Endüstriyel tesisler, depolar, okullar, spor salonları vb.
Duvar tipi veya tavan tipi alternatifli
Paslanmaz ısıtıcı serpantinli.
Monofaze veya trifaze opsiyonlu.
IEC 60335-2-30 standartlarına göre test edilmiş ve sertifikalı.

Capacity:

Standard models up to 15kW heating capacity.
Special designs up to 30kW heating capacity.

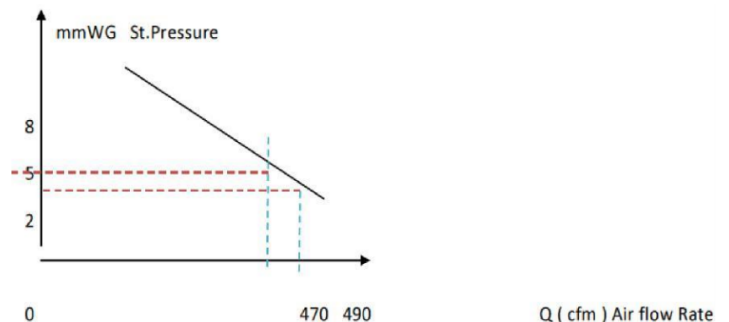
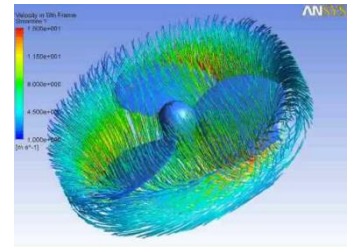
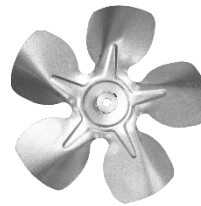
Applications and Specifications:

Industrial plants, warehouses, schools, sport fields ecc.
Wall or ceiling types.
Stainless steel coils.
Monophase or three phase option.
Tested and certified according to the standards IEC 60335-2-30.

**Hava Debisi Bilgisi****Air Flow Information**

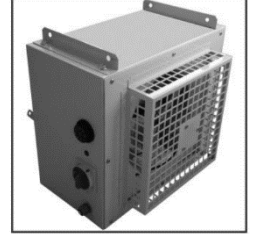
Fan Çapı: 250mm
Malzemesi: Alüminyum kanatlı
Elektrik motor voltajı: 220V/230V 50Hz
Güç: 39W 0,25A
Hız: 1310 rpm
Frekans 60 hZ: 33W 0,22A 1620 rpm
Hava debisi: 800m³/h (470 cfm)

Fan Diameter: 250mm
Material Type: Aluminum blade
Electric Motor Voltage: 220V/230V 50Hz
Power: 39W 0,25A
Speed: 1310 rpm
Frequency 60Hz: 33W 0,22A 1620 rpm
Air Flow: 800m³/h (470 cfm)



Ürün Modelleri

Models



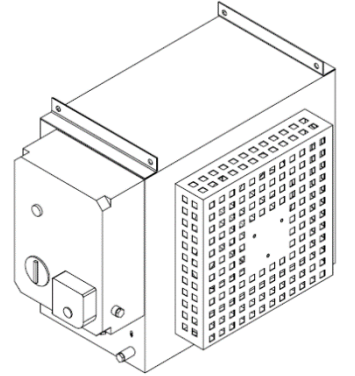
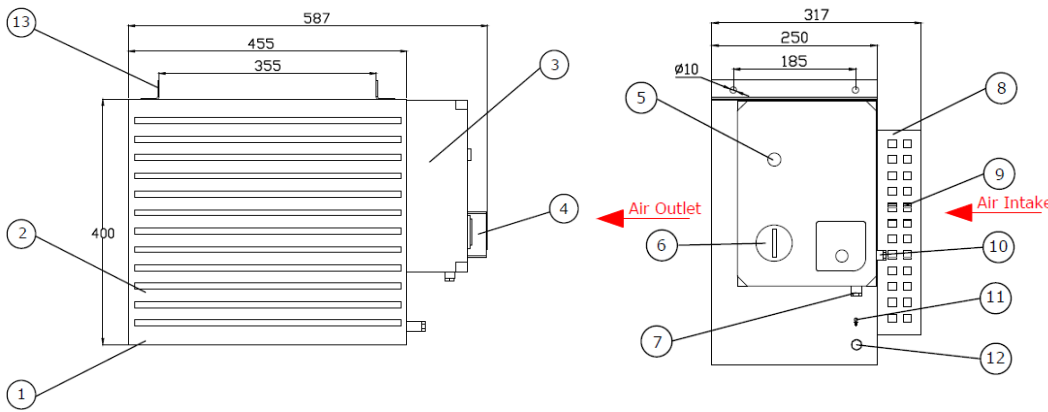
Model	Heating Capacity	Voltage / Frequency	Capacity Kcal/h	Motor (W)	Air Flow (m3/h)	Dimensions (mm)	Weight (Kg)
ETA 4A	2 kW	220V/50hz or 380V/50hz	1720	39	800	455x400x250	14
ETA 4B	3 kW	220V/50hz or 380V/50hz	2850	39	800	455x400x250	15
ETA 4C	4 kW	220V/50hz or 380V/50hz	3440	39	800	455x400x250	16
ETA 5	5 kW	220V/50hz or 380V/50hz	4300	39	800	455x400x250	16
ETA 6	6 kW	380V/50hz	5160	39	800	455x400x250	18
ETA 8	8 kW	380V/50hz	6880	39	800	455x400x250	20
ETA 10	10 kW	380V/50hz	8600	39	800	455x400x250	25

ETA4B-M	3kW Heating capacity - 220V/50Hz
ETA4C-T	4kW Heating capacity - 380V/50Hz
ETA4C-EX-T	4Kw Heating capacity - Exproof Type - 380V/50Hz



Ölçüler

Dimensions

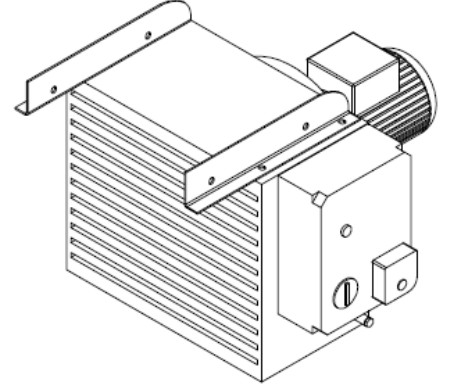
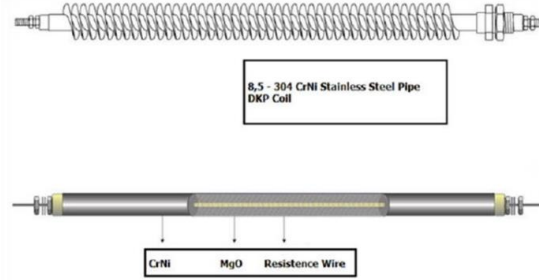


Part No	Part	Part No	Part
1	Housing	8	Fan Guard
2	Louver	9	Motor 39W-0,25A
3	Control Panel	10	Power Input Gland
4	Manual/Optional Digital Thermostat	11	Grounding Hole
5	Emergency Lamp	12	Gland
6	Gradual On/Off Switch	13	30x30x240L brackets fixed on device
7	Power Supply Gland		

Teknik Özellikler

Technical Information

- Kasa :**
Kasa dkp sactan imal edilmiş üzeri epoksi boyalı. İstek üzerine alüminyum profilden imal edilebilir. Isıtma rezistansı 304 Cr-Ni malzemedendir.
- Aksiyal fan ve motor :**
Sessiz ve titreşimsiz çalışma özelliğine sahip. Statik ve dinamik balanslı. Monofaze veya Trifaze motora direkt bağlı.
- Hava atış damperi :**
Isıtılan hava yönlendirici damperler sayesinde istenilen yöne gönderilir. Manuel olarak kontrol edilir.
- Asma aparatı :**
Ürün üzerinde yer alan askılar dikey asma özelliği sağlar.
- Casing :**
Made of pickled sheet iron with a small volume. Painted with Hammerton paint for long life. Manufactured with aluminum profile and kiln coated upon request.
Heating Coil material : 304 CrNi Stainless steel pipe
Axial Fan with Motor :
Operates soundless and without vibration. The ventilator is static and dynamic balanced and directly coupled with single or three phase electrical motor.
Air Discharge Louvers :
This air adjustment louver with special arrangement and jointly operating wings provides single and symmetrical double direction air distribution with wall types and ceiling types, respectively. Remoted manually.
Installation Brackets :
The hook arrangement with connection to collector section of the warming group for a favorable holding of load provides horizontal hanging position of the apparatus.

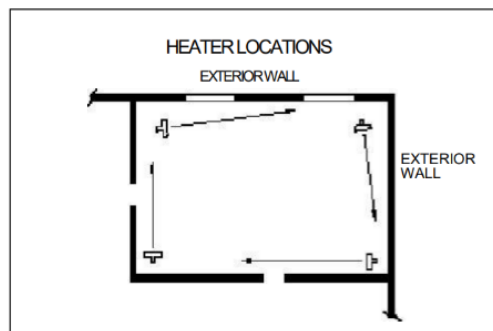


Montaj Bilgisi

Mounting Location

For optimum heating, the heater should be installed as follows:

- There are no obstructions that may impede the heater's air inlet or discharge.
- The air discharge is directed into open areas and not at occupants.
- The air discharge is not directed at a thermostat.
- The air discharge is directed across areas of heat loss, such as doors and Windows (see Figure).
- The air discharge is directed along and at a slight angle toward exterior walls (see Figure).
- If equipment freeze protection is important, direct air discharge at equipment.
- Air discharge streams support each other and create a circular air flow.
- It is not required that the heater's air throw reaches the next heater (see Figure).



Çalıştırmadan Önce

Before applying Electrical Power

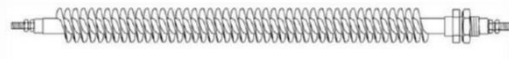
- Bütün bağlantıların güvenli ve uygun şekilde yapıldığını ve bağlantı şemasına uygun olduğunu kontrol edin.
- Bağlanan güç ve voltajın etiket değerleriyle uyumlu olup olmadığını kontrol edin.
- Isıtıcı içerisinde veya üzerinde bulunan tüm yabancı cisimleri temizleyin. Fanın serbest şekilde dönebildiğini kontrol edin.
- Fanın dönüş yönünü kontrol edin.
- Check that all connections are secured and comply with the applicable wiring diagram and code requirements.
- Confirm that the power supply is compatible with the data plate rating of the heater.
- Remove any foreign objects from the heater, Install all covers and verify that all enclosures are well secured, and Ensure that the Fan rotates freely.
- Be sure for the proper direction of fan rotation.



Cihaz üzerine dahil olan aksesuarlar

Included parts and accessories on the unit:

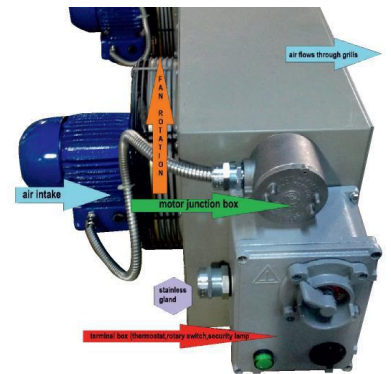
- Paslanmaz çelik malzemeden ısıtıcı batarya
- Korozyona dayanıklı sızdırmazlık elemanları
- Bağlantı diagramı
- Termostat
- On/o-Off butonu ve acil durum butonu
- Gösterge lambası
- Montaj aparatı
- 1m kablo ve fiş
- Cr-Ni Heating Coils
- Seal Elements (anti corrosive)
- Circuit Connection diagram is attached to the unit
- Thermostat (Tamperproof thermostat is optional)
- On/Off emergency switch
- Indicator Light Button
- Mounting feet
- Plug and 1m cable



Warning !

For a safe operation:

- Possible control circuit terminals and single source of power supply
- Read and follow all instructions in Eta – Electrical Unit Heater manual.
- To operate the unit in heavy duty conditions, units should be improved by filtering system and should be produced reinforced.
- Minimum 20 gage steel is 1mm
- Nickel Chromium heating wire element
- Free from expansion noise
- Magnesium Oxide insulating element in the coil Corrosion resisting metallic sheet fins
- Cable ends connect to a plug or fixed in terminal box.





Firuzköy Mahallesi, Firuzköy Bulvarı No:66 Avcılar 34325
Istanbul/ Turkey

T: +90 212 428 18 85

F: +90 212 428 16 61

pitsan@pitsan.com

www.pitsan.com